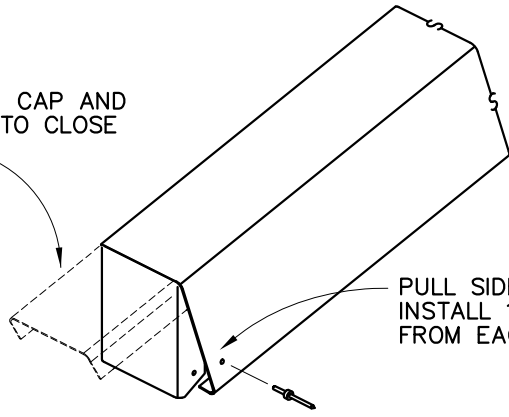
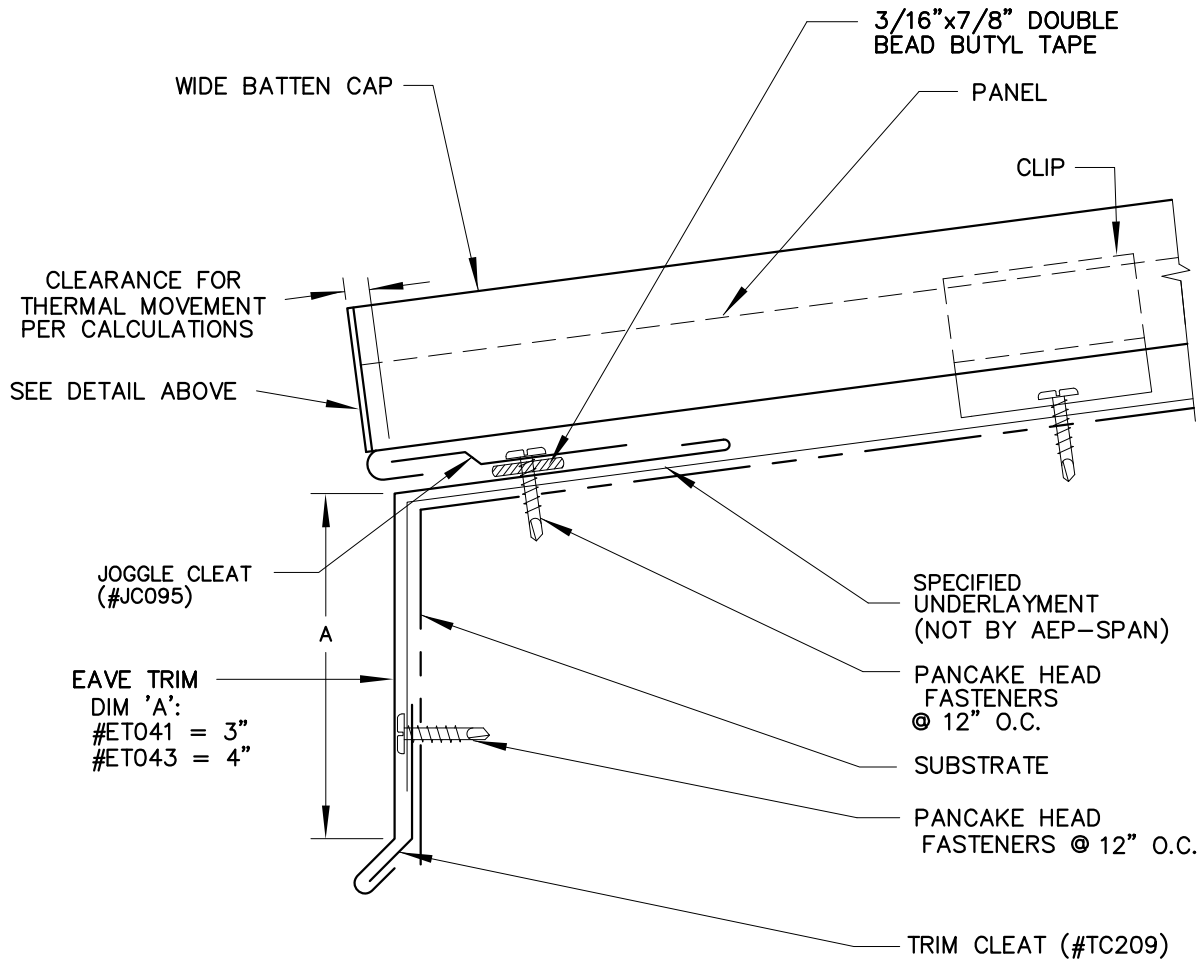


FIELD NOTCH CAP AND BEND OVER TO CLOSE OFF END.

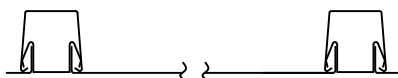


PULL SIDES IN AND INSTALL 1/8" RIVET FROM EACH SIDE

**WIDE BATTEN CAP
EAVE DETAIL**



**SELECT SEAM
WIDE BATTEN**



EAVE

SSWB-03